

KENWOOD

COMPACT HI-FI SYSTEM

XD-SERIES

XD-A75

XD-A55

INSTRUCTION MANUAL

KENWOOD CORPORATION

This instruction manual is for some models. Model availability and features (functions) may differ depending on the country and sales area.



BEFORE APPLYING POWER





⚠ Caution : Read this page carefully to ensure safe operation.

Units are designed for operation as follows.

U.S.A. and Canada..... AC 120 V only

SAFETY PRECAUTIONS

WARNING : TO PREVENT FIRE OR ELECTRIC SHOCK, DO NOT EXPOSE THIS APPLIANCE TO RAIN OR MOISTURE.

	CAUTION RISK OF ELECTRIC SHOCK DO NOT OPEN		CAUTION: TO REDUCE THE RISK OF ELECTRIC SHOCK, DO NOT REMOVE COVER (OR BACK). NO USER-SERVICEABLE PARTS INSIDE. REFER SERVICING TO QUALIFIED SERVICE PERSONNEL.
	THE LIGHTNING FLASH WITH ARROWHEAD SYMBOL, WITHIN AN EQUILATERAL TRIANGLE, IS INTENDED TO ALERT THE USER TO THE PRESENCE OF UNINSULATED "DANGEROUS VOLTAGE" WITHIN THE PRODUCT'S ENCLOSURE THAT MAY BE OF SUFFICIENT MAGNITUDE TO CONSTITUTE A RISK OF ELECTRIC SHOCK TO PERSONS.		
	THE EXCLAMATION POINT WITHIN AN EQUILATERAL TRIANGLE IS INTENDED TO ALERT THE USER TO THE PRESENCE OF IMPORTANT OPERATING AND MAINTENANCE (SERVICING) INSTRUCTIONS IN THE LITERATURE ACCOMPANYING THE APPLIANCE.		

The marking of products using lasers
(Except for some areas)

CLASS 1
LASER PRODUCT

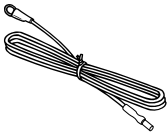
The marking is located on the rear panel and says this product has been classified as Class 1. It means that there is no danger of hazardous radiation outside the product

CONTENTS

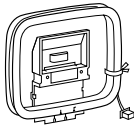
	Page	Page	
BEFORE APPLYING POWER	2	RADIO OPERATION	18 - 20
SAFETY PRECAUTIONS	2	CASSETTE OPERATION	21
ACCESSORIES	3	RECORDING (TAPE B only)	22 - 23
HANDLING OF DISCS AND TAPES	4	HOW TO USE THE BUILT-IN TIMER	24 - 26
NAMES OF CONTROLS AND INDICATORS	5 - 7	USING EXTERNAL UNITS	27
PREPARATION FOR USE	8 - 10	RESETTING THE MICROCOMPUTER	28
SETTING THE CLOCK	11 - 12	TRANSPORTING THE UNIT	28
SOUND CONTROL	12	MAINTENANCE	29
COMPACT DISC OPERATION	13 - 17	SPECIFICATIONS	31 - 32

ACCESSORIES

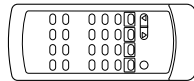
FM Antenna
(1)



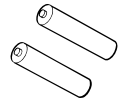
AM Loop Antenna
(1)



Remote Control
(1)



"AA" size battery (UM/
SUM-3, R6, HP-7 or similar)
(2)



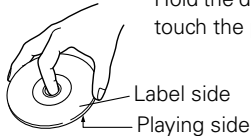
As an ENERGY STAR® Partner, Kenwood Corporation has determined that this products meets the ENERGY STAR® guidelines for energy efficiency. This product can save energy. Saving energy reduces air pollution and lowers utility bills.

HANDLING OF DISCS AND TAPES

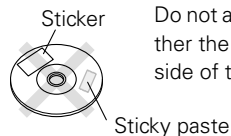
Disc handling precautions

Handling

Hold the discs so that you do not touch the playing surface.



Do not attach paper or tape to either the playing side or the label side of the discs.



Cleaning


If fingerprints or foreign matter become attached to the disc, lightly wipe the disc with a soft cotton cloth (or similar) from the center of the disc outwards in a radial manner.



Storage

When a disc is not to be played for a long period of time, remove it from the player and store it in its case.

Discs which can be played with this unit

CD (12 cm, 8 cm) and the audio part of CDV, CD-G, CD-EG and CD-EXTRA. Use discs that comply with the IEC standard, for example a disc carrying the  marking on the label surface.

Never play a cracked or warped disc

During playback, the disc rotates at high speed in the player. Therefore, to avoid danger, never use a cracked or deformed disc or a disc repaired with tape or adhesive agent. Please do not use discs which are not round because they may cause a malfunction.

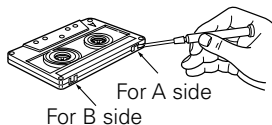
Disc accessories

The disc accessories (stabilizer, protection sheet, protection ring, etc.) which are marketed for improving the sound quality or protecting discs as well as the disc cleaner should not be used with this system because they may cause malfunction.

Notes on cassette tape

Safety tab (accidental erasure prevention tab)

After an important recording has been finished, break the safety tab, to prevent the recorded contents from being erased or recorded on accidentally.

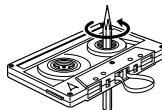


To store cassette tapes

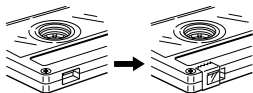
Do not store the tapes in a place which is subject to direct sunlight, or near equipment that generates heat. Keep the cassette tapes away from any magnetic field.

When there is slack in the tape

In such a case, insert a pencil into the reel hole and wind the reel hub to remove the slack.



To re-record



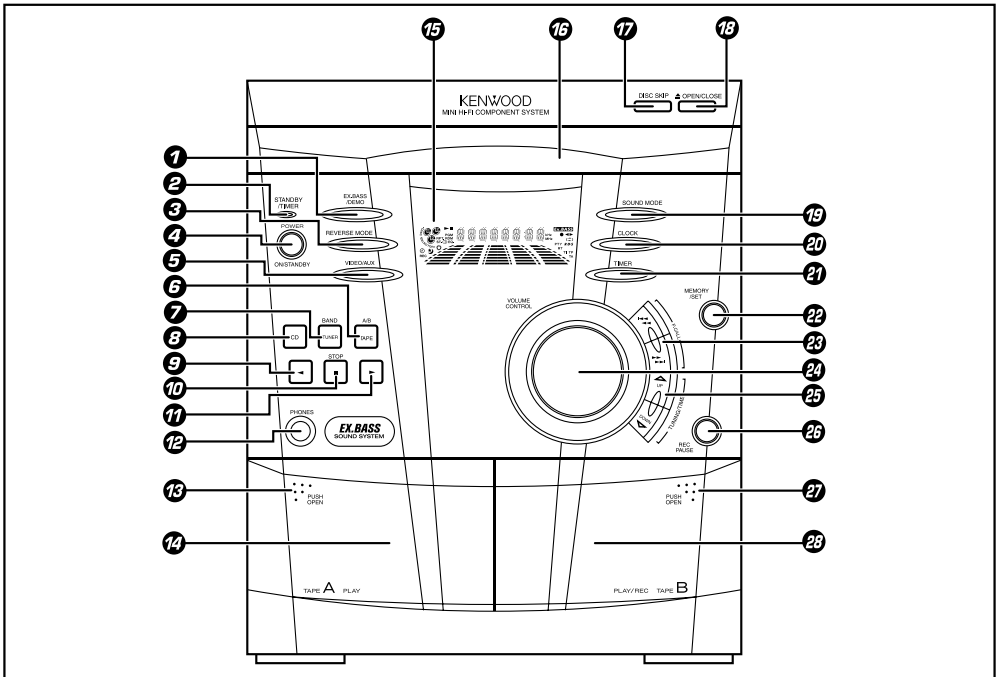
Apply tape only to the position where the tab has been removed.

Note :

- Do not use an endless tape, as this could damage the mechanism of the unit.
- Do not use a cassette with more than 90 minutes recording time, for the tape used in such a cassette is very thin and tends to cause troubles such as entanglement around the pinch roller or cutting of tape.

NAMES OF CONTROLS AND INDICATORS

FRONT PANEL

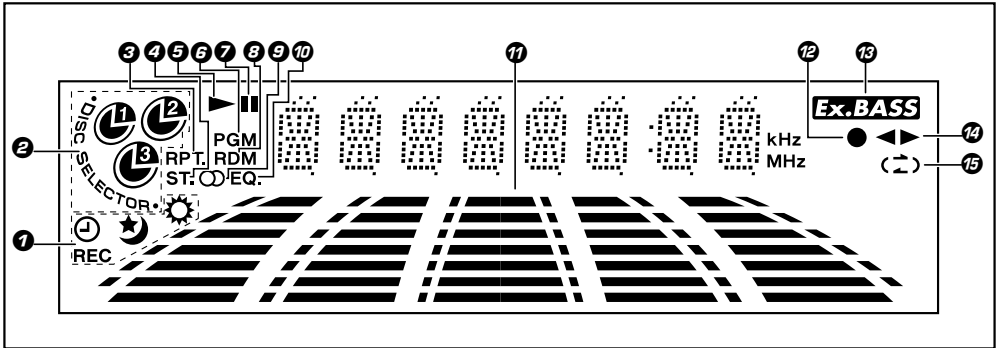


- | | |
|--------------------------------|--------------------------------------|
| 1 EX.BASS / DEMO button | 15 Display |
| 2 STANDBY / TIMER indicator | 16 Disc tray |
| 3 REVERSE MODE button | 17 DISC SKIP button |
| 4 POWER / ON / STANDBY button | 18 ▲ OPEN / CLOSE button |
| 5 VIDEO / AUX button | 19 SOUND MODE button |
| 6 TAPE (A/B) button | 20 CLOCK button |
| 7 TUNER (BAND) button | 21 TIMER button |
| 8 CD button | 22 MEMORY / SET button |
| 9 ◀ (Reverse play) button | 23 P. CALL (◀◀ ◀ ▶▶ ▶▶) buttons |
| 10 ■ STOP button | 24 VOLUME CONTROL knob |
| 11 ▶ (Play / repeat) button | 25 TUNING / TIME (▲UP ▼DOWN) buttons |
| 12 PHONES socket | 26 REC PAUSE button |
| 13 PUSH OPEN (Tape A) | 27 PUSH OPEN (Tape B) |
| 14 Tape A cassette compartment | 28 Tape B cassette compartment |

Standby mode

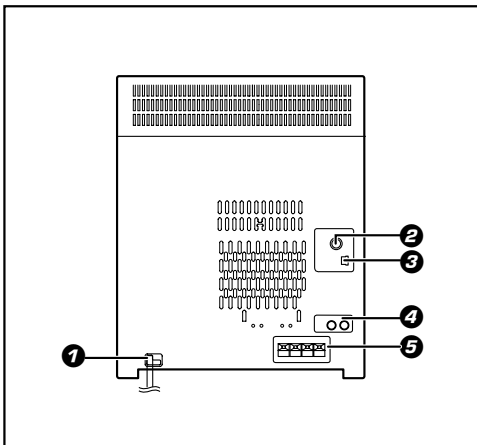
While the standby indicator of the unit is lit, a small amount of current is flowing into the unit's internal circuitry to back up the memory. This condition is referred to as the standby mode of the unit. While the unit is in the standby mode, it can be turned ON from the remote control unit.

DISPLAY



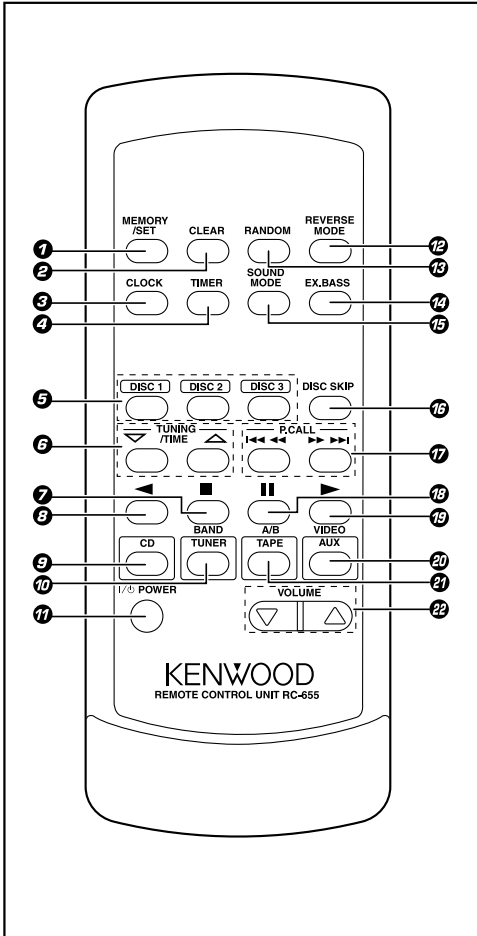
- | | |
|---|--|
| <ul style="list-style-type: none"> ➊ Timer Related Indicator ➋ Disc Number Indicator ➌ Repeat Indicator ➍ FM Stereo Mode Indicator ➎ Play Indicator ➏ Programme Indicator ➐ Pause Indicator ➑ Random Play Indicator | <ul style="list-style-type: none"> ➒ Tuned Indicator ➓ Equalizer Indicator ➔ Spectrum Analyzer / Volume level Indicator ➕ Record Indicator ➖ Extra Bass Indicator ➗ Forward / Reverse Play Indicator ➘ Reverse Mode Indicator |
|---|--|

REAR PANEL



- ➊ AC Power Cord
- ➋ FM 75 Ω Antenna Socket
- ➌ AM Loop Antenna Socket
- ➍ Video / Auxiliary (Audio Signal) Input sockets
- ➎ Speaker Terminals

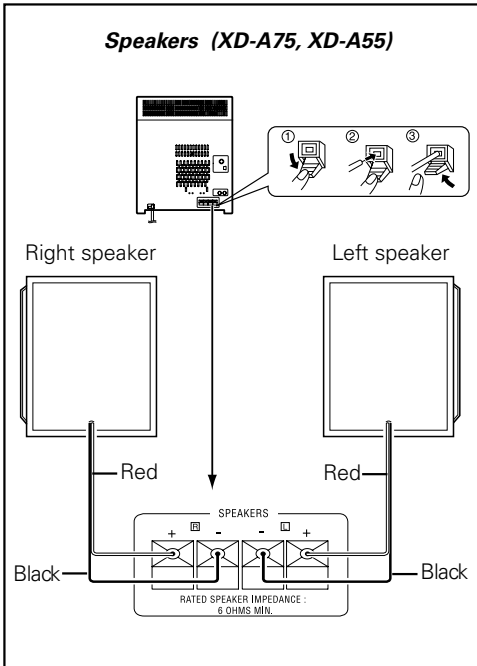
REMOTE CONTROL



- 1 MEMORY / SET button
- 2 CLEAR button
- 3 CLOCK button
- 4 TIMER button
- 5 Disc Number Select buttons
- 6 TUNING / TIME (Δ ∇) buttons
- 7 ■ (Stop) button
- 8 ◀ (Reverse Play) button
- 9 CD button
- 10 TUNER (BAND) button
- 11 I/O POWER button
- 12 REVERSE MODE button
- 13 RANDOM button
- 14 EX.BASS button
- 15 SOUND MODE button
- 16 DISC SKIP button
- 17 P. CALL (◀◀ ▶▶) buttons
- 18 || (Pause) button
- 19 ▶ (Play / Repeat) button
- 20 VIDEO / AUX button
- 21 TAPE (A/B) button
- 22 VOLUME buttons

PREPARATION FOR USE

- Unplug the AC power cord from the AC socket before connecting or disconnecting any component.



Speaker connection

Connect each speaker wire to the SPEAKERS terminals as shown. Use speakers with an impedance of 6 ohms or more, as lower impedance speakers can damage the unit.

Connect the black wire to the minus (-) terminal, and the red wire to the plus (+) terminal.

Caution :

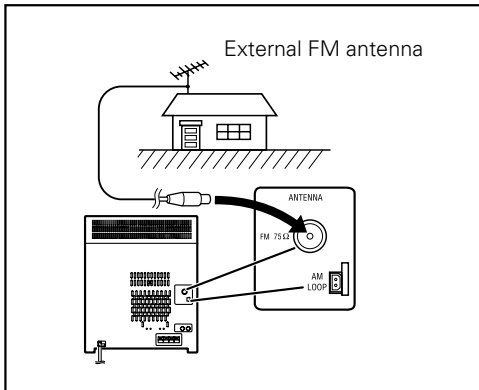
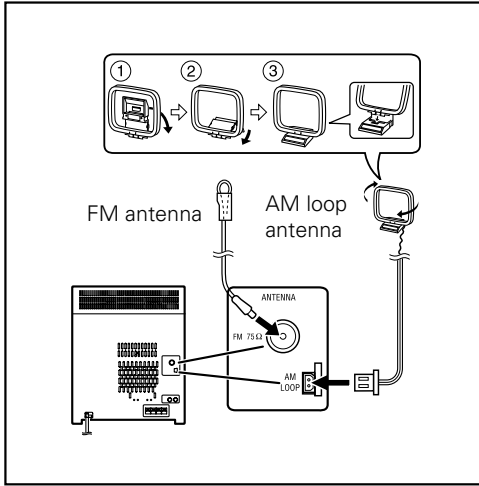
- Do not mix the right channel and left channel wiring when connecting the speakers to the unit. The right speaker is the one on the right side when you are facing the front of the unit.
- Do not let bare speaker wires touch each other as this may damage the amplifier and/or speakers.
- Do not allow any objects to fall into or to be placed in the bass reflex ducts.
- Do not stand or sit on the speakers. If the speakers fall or collapse, you may be injured.

System Name	Speaker Model Name
XD-A75	LS-N70S
XD-A55	LS-N50S

CAUTION

Be sure to adhere the following, or proper ventilation will be blocked causing damage or fire hazard.

- Do not place any objects impairing heat radiation onto the top of unit.



Antenna connection

Supplied FM antenna

Connect the FM antenna wire to the FM 75 Ω terminal and position the FM antenna wire in the direction where the strongest signal can be received.

Supplied AM loop antenna

Connect the AM loop antenna wire to the AM LOOP socket. Position the AM loop antenna for optimum reception.

Place the AM loop antenna on a shelf, etc., or attach it to a stand or a wall with screws (not supplied).

Notes :

- Do not place the antenna on the main unit as it may result in noise pickup from the internal digital electronics.
Place the antenna away from the unit for better reception.
- If the AM loop antenna and the FM antenna wire are placed near to the AC power cord, interference may result.

External FM antenna

Use an external FM antenna if you require better reception.

Consult your dealer.

Demo mode

When the AC power cord is first connected, the unit will enter the demonstration mode.

To cancel the demonstration mode :

Press the EX.BASS/DEMO button.

- The demonstration mode will be cancelled and the unit will be in the low power consumption mode.

To return to the demonstration mode :

When the unit is in the standby mode, press the EX.BASS/DEMO button again.

Notes :

- When the unit is in the low power consumption mode, the display will disappear.
- When the power is on, the EX.BASS/DEMO button can be used to select the extra bass mode.

Remote control

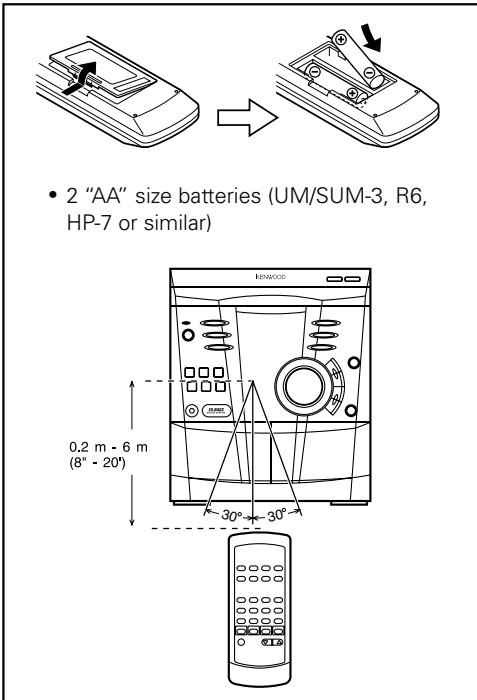
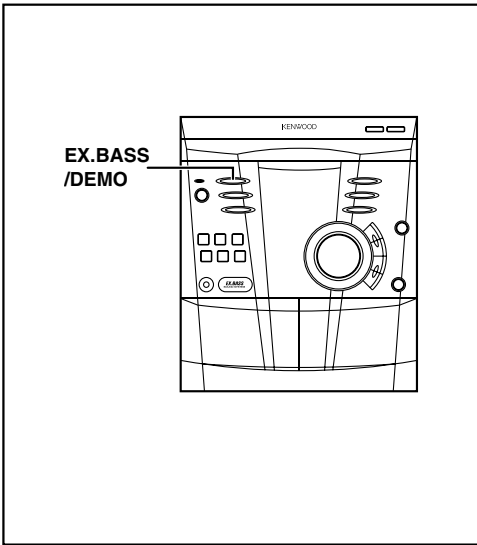
- When inserting or removing the batteries, push them towards the \ominus battery terminals.
- Installing the batteries incorrectly may cause the unit to malfunction.

Precautions for battery use :

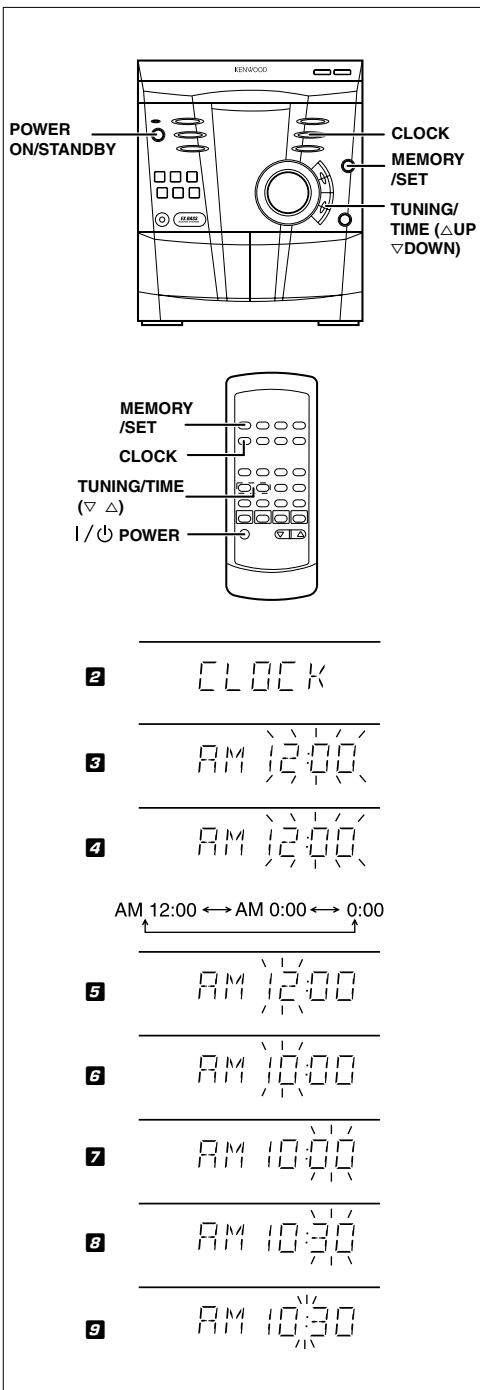
- Replace all old batteries with new ones at the same time. Do not mix old and new batteries.
- Remove the batteries if the unit will not be used for long periods of time. This will prevent potential damage due to battery leakage.
- Do not use rechargeable batteries (nickel-cadmium battery, etc.)

Note concerning use :

- Replace the batteries if the operating distance is reduced or if the operation becomes erratic.
- Periodically clean the transmitter LED on the remote control and the sensor on the main unit with a soft cloth.
- Exposing the sensor on the main unit to strong light may interfere with operation. Change the lighting or the direction of the unit.
- Keep the remote control away from moisture, excessive heat, shock, and vibrations.



SETTING THE CLOCK



In this example, the clock is set for the 12 hours (AM 12:00) system.

- 1** Press the POWER / ON/STANDBY button to enter the standby mode.
- 2** Press the CLOCK button.
- 3** Within 5 seconds, press the MEMORY/SET button.
- 4** Press the TUNING/TIME (ΔUP or ∇DOWN) button to select the time display mode.
 - “AM 12:00” :The 12-hours display will appear. (AM 12:00 - PM 11:59)
 - “AM 0:00” :The 12-hours display will appear. (AM 0:00 - PM 11:59)
 - “0:00” :The 24-hours display will appear. (0:00 - 23:59)
 - Note that this can only be set when the unit is first installed or it has been reset (see page 28 - RESETTING THE MICROCOMPUTER).
- 5** Press the MEMORY/SET button.
- 6** Press the TUNING/TIME (ΔUP or ∇DOWN) button to adjust the hour.
 - Press the TUNING/TIME (ΔUP or ∇DOWN) button once to advance the time by 1 hour. Hold it down to advance continuously.
 - When the 12-hours display is selected, “AM” will change automatically to “PM”
- 7** Press the MEMORY/SET button.
- 8** Press the TUNING/TIME (ΔUP or ∇DOWN) button to adjust the minutes.
 - Press the TUNING/TIME (ΔUP or ∇DOWN) button once to advance the time by 1 minute. Hold it down to change the time in 5 minutes intervals.
 - The hour setting will not advance even if minutes advance from “59” to “00”.
- 9** Press the MEMORY/SET button.
 - The clock starts operating from “0” second. (Second are not displayed.)
 - And then the clock display will disappear after a few seconds.

To see the time display :

Press the CLOCK button.

- The time display will appear for about 5 seconds.

Note :

- The clock display will flash on and off at the push of the CLOCK button when the AC power supply is restored after a power failure occurs or after the AC power cord is disconnected. If this happens, follow the procedure below to change the clock time.

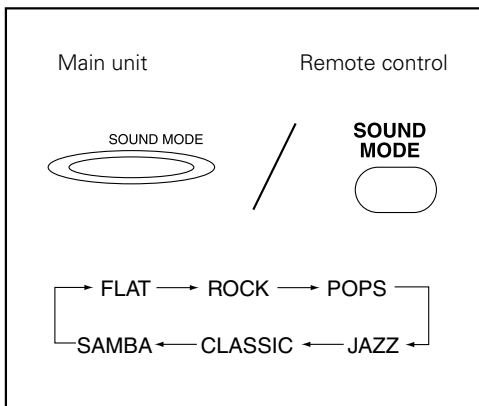
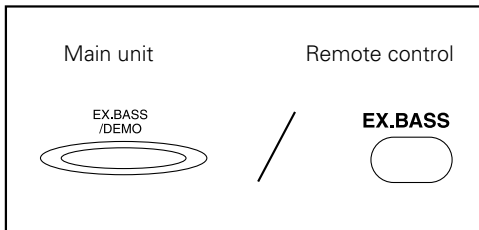
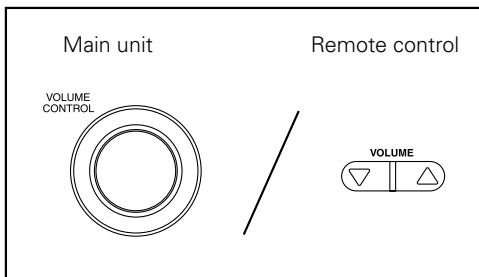
To change the clock time :

- 1 Press the CLOCK button.
- 2 Within 5 seconds, press the MEMORY/SET button.
- 3 Perform steps **6** - **9** on page 11 .

To change the time display mode :

- 1 Perform steps **1** - **2** in the section "RESETTING THE MICROCOMPUTER," on page 28.
- 2 Perform step **1** - **9** on page 11.

SOUND CONTROL



Volume

(Main unit operation)

When the VOLUME CONTROL is turned clockwise, the volume will increase. When it is turned anti-clockwise, the volume will decrease.

(Remote control operation)

Press the VOLUME up button (Δ) to increase the volume and the VOLUME down button (∇) to decrease the volume.

Extra bass

When the power is first turned on, the unit will enter the extra bass mode which emphasises the bass frequencies, and "Ex. BASS" will light up. To cancel the extra bass mode, press the EX. BASS/ DEMO (EX. BASS) button, and "Ex. BASS" will go off.

Pre-programmed equalizer

When the SOUND MODE button is pressed, the current equalizer mode setting will be displayed. To change to a different mode, press the SOUND MODE button repeatedly.

FLAT : The sound is not modified.

ROCK : Bass and treble are emphasised.

POPS : Bass and treble are slightly emphasised.

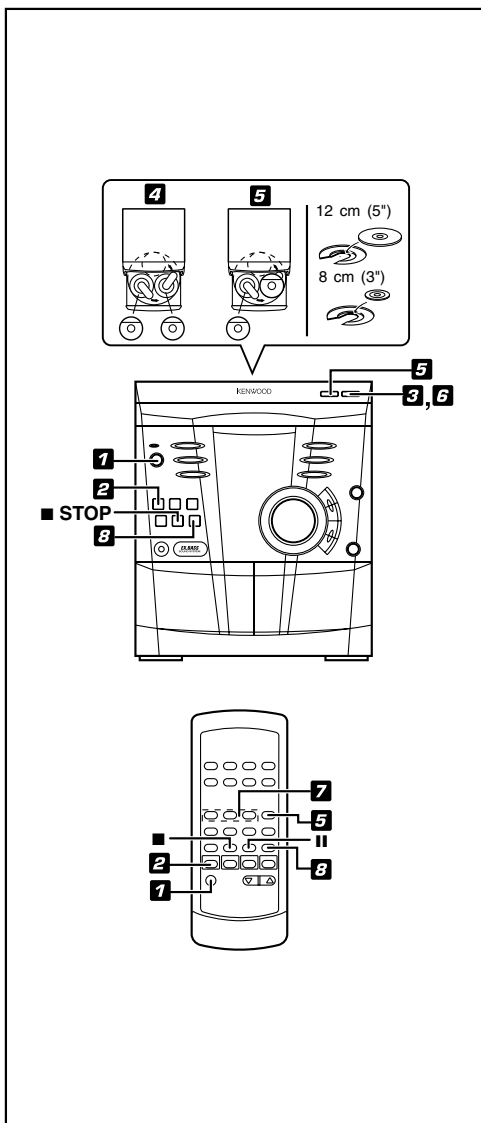
JAZZ : Treble is cut a little.

CLASSIC : Treble is reduced a lot.

SAMBA : Treble is slightly emphasised.

- When ROCK, POPS, JAZZ, CLASSIC or SAMBA is selected, "EQ" will light up.

COMPACT DISC OPERATION



CD playback

- 1** Press the POWER / ON/STANDBY button to turn the power on.
- 2** Press the CD button.
- 3** Press the ▲ OPEN/CLOSE button to open the disc tray.
- 4** Place the CD(s) on the disc tray, label side up.
 - CDs can be placed on any open position on the disc tray.
 - Be sure to place 8cm (3") CD(s) in the middle of the disc trays.

Caution :

Do not stack CDs in the tray. This can damage the player and the CDs.

- 5** When loading a third disc, press the DISC SKIP button to turn the disc tray, then place the CD in the open position.
- 6** Press the ▲ OPEN/CLOSE button to close the disc tray.
 - The total number of tracks and the total playing time for one disc will be displayed. At this time, the disc number indicator is flashing.
 - The music schedule will be displayed only for the number of tracks on the disc.
- 7** Press the desired disc number button (DISC 1 - DISC 3).
- 8** Press the ► button.
 - Playback will begin from track 1 on the disc you have selected to play.
 - After the disc finishes playing, the next disc will automatically play.
 - When there is no CD in one of the disc 1 - 3 positions, that position will be skipped and the next CD will be played.
 - When the last track on the third disc has finished playing, the unit will stop automatically.

To interrupt playback :

- 1 Press the **II** button on the remote control.
 - “II” will light up.
- 2 Press the **▶** button to resume playback from the same point.

To stop playback :

Press the **■** STOP button.

To remove the CDs :

Whilst in the stop mode, press the **▲** OPEN/CLOSE button.

- The disc tray will open. Remove the two discs. Then, press the DISC SKIP button to rotate the disc tray and remove the remaining disc.

After use :

Press the POWER / ON/STANDBY button to enter the standby mode.

Cautions :

- Do not carry the unit with discs left in the disc trays. The disc may become loose inside the unit and they may be damaged or cause damage to the unit. This may also cause malfunctions.
- Do not place two CDs in one disc position.
- Do not push the disc tray whilst it is moving.
- Do not attempt to turn the disc tray by hand. This may cause malfunctions.
- If the power fails whilst the tray is open, wait until the power is restored.
- If the disc tray is stopped forcibly, “ERR” will appear in the display and the unit will not function. If this occurs, press the POWER / ON/STANDBY button to enter the standby mode and then turn the power on again.
- If TV or radio interference occurs during CD operation, move the unit away from the TV or radio.
- If a disc is damaged, dirt, or loaded upside down, the disc will be skipped and the next disc will automatically play.

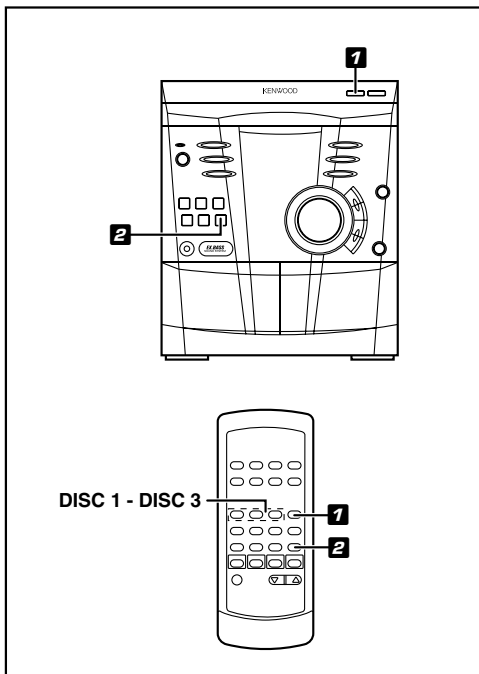
Disc number selection

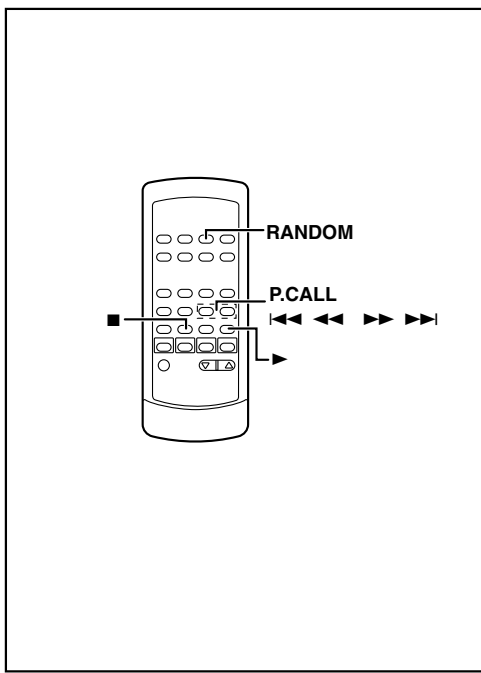
- 1** When stopped, press the DISC SKIP button.
- 2** Press the **▶** button.

- The next disc playback will begin, after which each following disc will be played sequentially.

Notes :

- When the DISC SKIP button is pressed during playback, playback will begin automatically from the next disc. (It is not necessary to press the **▶** button.)
- When one of the disc number buttons (DISC 1-DISC 3) is pressed during playback, playback of the selected disc will begin automatically. (It is not necessary to press the **▶** button.)





Random play

(Remote control operation)

The tracks on the disc(s) can be played in random order automatically.

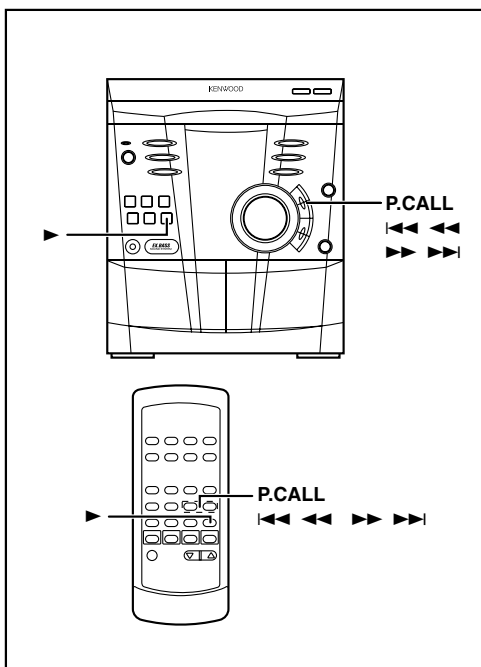
- 1 Load a disc(s) and close the disc tray.
- 2 Press the RANDOM button to begin random play.
 - "RDM" will light up.

Notes :

- If you press the P. CALL ►► ►► button during random play, you can move to another track. On the other hand, the P. CALL ◀◀◀◀ button does not allow you to move to the previous track. The beginning of the track being played will be located.
- When using random play, be sure to press the ■ STOP button after you are through listening. Otherwise, the disc(s) will play continuously.
- In random play the unit will select and play tracks automatically. (You cannot select the order of the tracks.)

To cancel random play :

Press the ► button.



Tracks Skipping

Tracks skipping will automatically locates the beginning of any track.

To listen again to the track being played :

Press the P. CALL ◀◀◀◀ button for less than 0.5 second during playback.

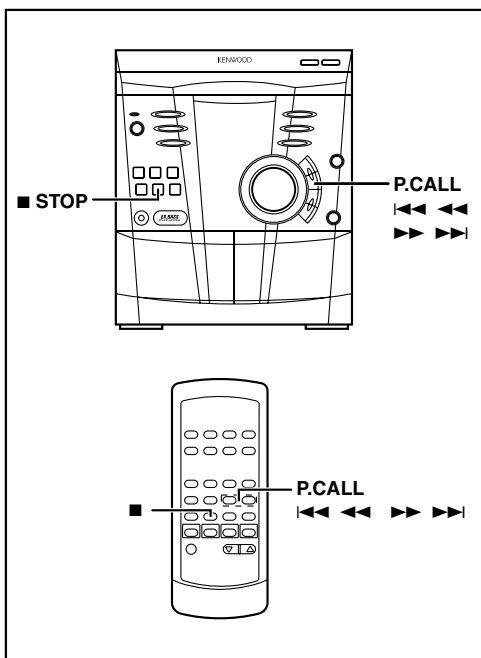
To move to the beginning of the next track :

Press the P. CALL ►► ►► button for less than 0.5 second during playback.

- To skip a number of tracks at one time, press the P. CALL ◀◀◀◀ or ►► ►► button repeatedly until the desired track number is shown.
- To start playback from a desired track, press the P. CALL ◀◀◀◀ or ►► ►► button whilst in the stop mode to select the track number, and then press the ► button.

Note :

Tracks skipping can only search for music on a single disc.

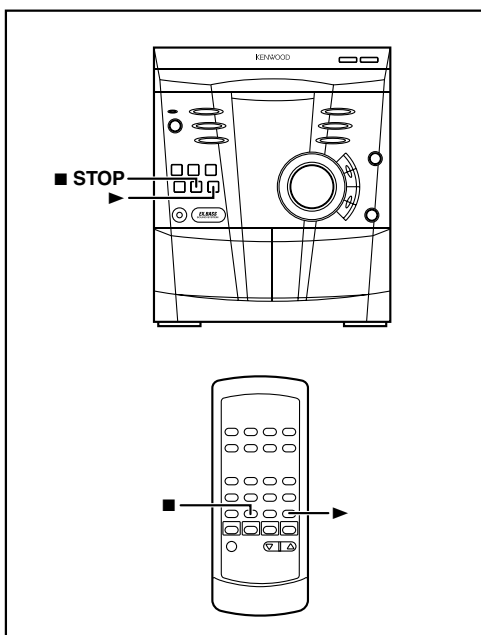


Cue and review

- 1 Load a disc and begin playback.
- 2 Hold down the P. CALL ►►►► button for audible fast forward, and hold down the P. CALL ◄◄◄◄ button for audible fast reverse.
- 3 Normal playback will resume when the P. CALL ◄◄◄◄ or ►►►► button is released.

Notes :

- When the end of the disc is reached whilst cueing, "END" will appear in the display and CD operation will be paused. (Even though the next disc has been loaded, the disc will not be switched.)
Press the P. CALL ◄◄◄◄ button for fast reverse or press the ■ STOP button to stop CD operation.
- If the beginning of the disc is reached whilst reviewing, the mode will automatically switch to normal playback at that point.



Repeat play

All tracks on up to 3 discs, or a programmed sequence can be continuously repeated.

To repeat all tracks on up to 3 discs :

Press the ► button twice.

- "RPT." will light up.

To repeat a programmed sequence :

- 1 Programme a sequence of up to 32 tracks.
- 2 Press the ► button again.

- "RPT." will light up.

To cancel repeat play :

Press the ► button again.

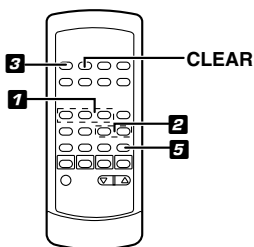
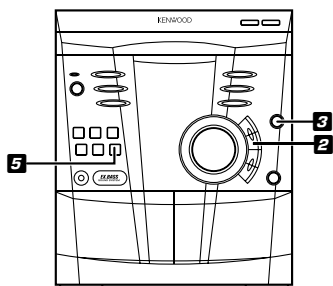
- "RPT." will go off.

Note :

- When using repeat play, be sure to press the ■ STOP button after you are through listening. Otherwise, the CD(s) will play continuously.

Program Playback

You can playback the tracks on the CDs in the disc 1-3 position in any order desired. By specifying the disc numbers from 1 to 3, and the track numbers from 1 to 99, you can choose up to 32 selections for playback in the order you like.



- 1** When in the stop mode, use the disc number buttons (DISC 1 - DISC 3) to select the desired disc number.
- 2** Press the P. CALL I◀◀ ◀◀ or ▶▶ ▶▶I button to select the desired track.
- 3** Press the MEMORY/SET button.
 - "PGM" will light up to show that the programmed sequence is being entered into memory.
- 4** Repeat steps **1** - **3** for any other track. Up to 32 tracks can be programmed.
 - If you make a mistake whilst in the programming mode ("PGM" will light up) or if you wish to change your selections, the programmed tracks can be cleared by pressing the CLEAR button. The tracks will be cleared sequentially, starting with the last track entered.
- 5** Press the ▶ button to start playback of programmed selections.

To clear the programmed selections :

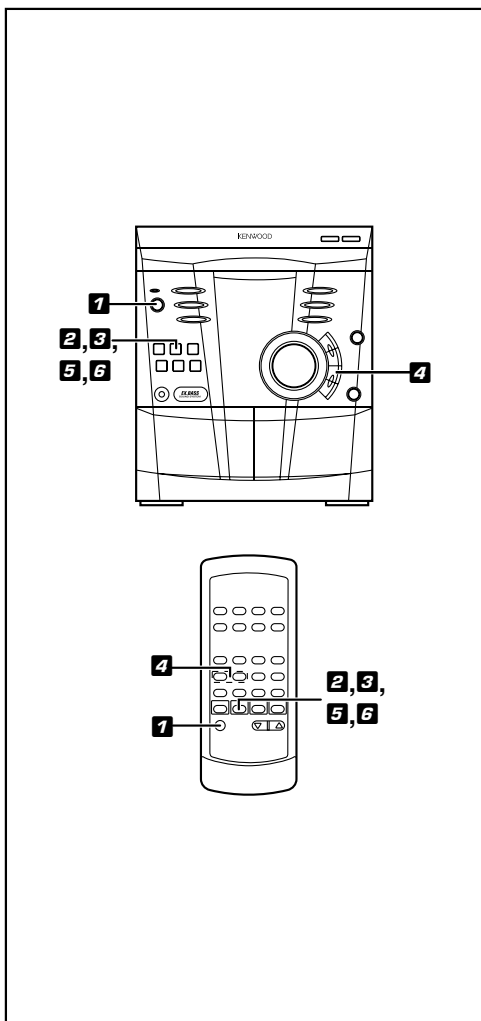
Press the CLEAR button on the remote control whilst the disc is stopped.

- Each time the button is pressed, one track will be cleared, beginning with the last track programmed.

Notes :

- Opening the disc tray automatically cancels the programmed sequence.
- Even if you press the POWER / ON/STANDBY button to enter the standby mode or the function is changed from CD to some other function, the programmed selections will not be cleared.
- During program playback operation, random play is not possible.

RADIO OPERATION



Tuning

- 1 Press the POWER / ON/STANDBY button to turn the power on.
- 2 Press the TUNER (BAND) button.
- 3 Press the TUNER (BAND) button to select the desired frequency band. (FM ST, FM or AM)
- 4 Press the TUNING/TIME (Δ UP or ∇ DOWN) button to tune into the desired station.

Manual tuning :

Press the TUNING/TIME (Δ UP or ∇ DOWN) button as many times as required to adjust the frequency shown on the display to the frequency of the desired station.

Auto tuning :

When the TUNING/TIME (Δ UP or ∇ DOWN) button is pressed for more than 0.5 second, scanning will start automatically and the tuner will stop at the first receivable broadcast station.

Notes :

- When radio interference occurs during auto scan tuning, auto scan tuning may stop automatically at that point.
 - If a weak station signal is found during auto scan tuning, the station will be skipped.
 - To stop the auto tuning, press the TUNING/TIME (Δ UP or ∇ DOWN) button again.
- 5 To receive an FM stereo transmission, press the TUNER (BAND) button so that the "ST." indicator on the display lights up.
 - "ST" will light up when an FM broadcast is in stereo.
 - 6 If the FM reception is weak, press the TUNER (BAND) button so that the "ST." indicator goes off.
 - The reception changes to mono, the sound becomes clearer.

After use :

Press the POWER / ON/STANDBY button to enter the standby mode

Note :

- The last station turned in will be recalled, even after changing the tuning band or the function, or after switching the unit to the standby mode.

Preset tuning

You can store up to 40 stations in memory (40 stations consisting of any combination of FM and AM stations you like) and recall them at the push of a button.

To enter stations into memory :

- 1 Perform steps **1** - **5** in the "Tuning" section (page 18).
- 2 Press the MEMORY/SET button.
 - "PGM" and the preset channel number will flash.
- 3 Within 30 seconds, press the P. CALL (◀◀◀◀ or ▶▶▶▶) button to make the preset channel number flash in the display.
 - The order of the station stored in memory, starts with preset channel 1.
- 4 Within 30 seconds, press the MEMORY/SET button to store that station in the selected station preset number memory.
- If the "PGM" and preset number go out before the station is memorized, repeat the operation from step **2**.
- 5 Repeat steps **1** - **4** to set other preset stations, or to change a preset station.
- When a new station is stored in the selected station preset number memory, the previous stored contents will be erased.

To recall a memorised station :

Press the P. CALL (◀◀◀◀ or ▶▶▶▶) button for less than 0.5 second to select the desired station.

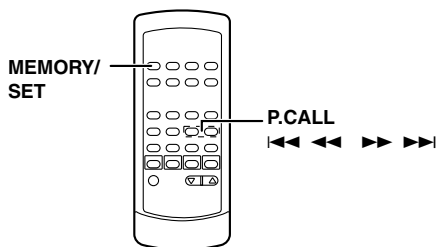
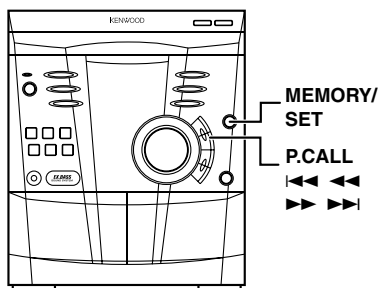
- The stations (preset channel number, frequency band) which have been stored in memory will appear in the display in numerical order, irrespective of the frequency bands.

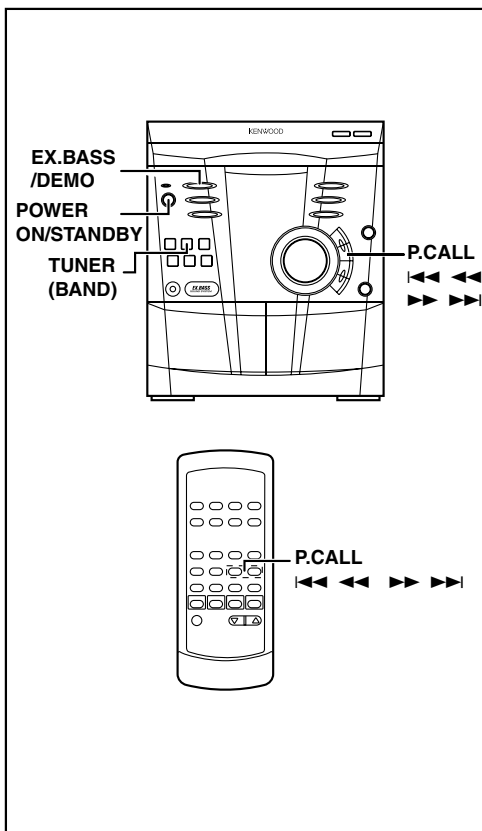
Notes :

- When searching for a memorized station, do not press the P. CALL (◀◀◀◀ or ▶▶▶▶) for more than 0.5 second.
- When the P. CALL (◀◀◀◀ or ▶▶▶▶) button is pressed for more than 0.5 second, the unit will enter the preset memory scan mode.

Backup function :

The backup function protects all station presets for a few hours should there be a power failure or the AC power cord is removed from the AC socket.





Preset memory scan

The stations saved in the preset memory can be scanned automatically.

1 To scan the preset stations, press the P. CALL (◀◀◀ or ▶▶▶) button for more than 0.5 second.

- The station preset number will flash and the programmed stations will be tuned in sequentially, for 5 seconds each.

2 Press the P. CALL (◀◀◀ or ▶▶▶) button again to stop the memory scan at the desired station.

Note :

When the preset memory does not have any stations stored in it, the preset memory scan will not function.

To erase all the contents in the preset memory :

- 1 Press the POWER / ON/STANDBY button to enter the standby mode.
- 2 Press the POWER / ON/STANDBY button whilst holding down the TUNER (BAND) button and the SOUND MODE button.

- "PGM" will light up and "TUNER CL" will appear.
- After performing this operation, all of the preset memory information will be erased.

CASSETTE OPERATION

TAPE A or TAPE B playback

- 1** Press the POWER / ON/STANDBY button to turn the power on.
- 2** Press the TAPE (A/B) button.
- 3** Open the cassette door by pushing the area marked "PUSH OPEN".
- 4** Load the cassette into the TAPE A or TAPE B cassette compartment.
- 5** With cassette in both decks, press the TAPE (A/B) button to switch operation from one deck to the other.
- 6** Press the ► button to start playback.
 - When playback is performed using the remote control, press the ► button.

To stop playback :

Press the ■ STOP button.

Fast forward/rewind :

- 1 Press the ■ STOP button, then press the TAPE (A/B) button to select TAPE A or TAPE B.
- 2 To advance the tape, press the P. CALL ►►►► button. To rewind it, press the P. CALL ◀◀◀◀ button.

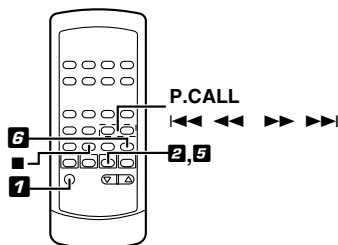
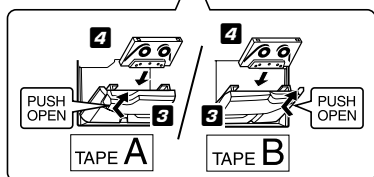
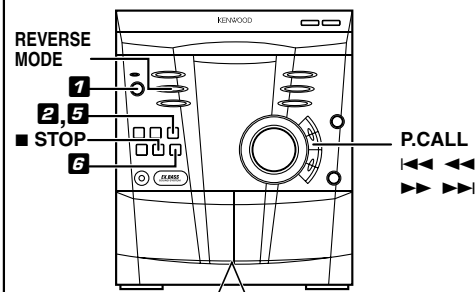
Caution :

- To remove the cassette tape, press the ■ STOP button, and then open the cassette compartment.
- Before changing from one tape operation to another, press the ■ STOP button.
- If a power failure occurs during tape operation, the tape head will remain engaged with the tape and the cassette door will not open. In this case, wait until power is restored.

Selection of reverse mode (Tape B only) :

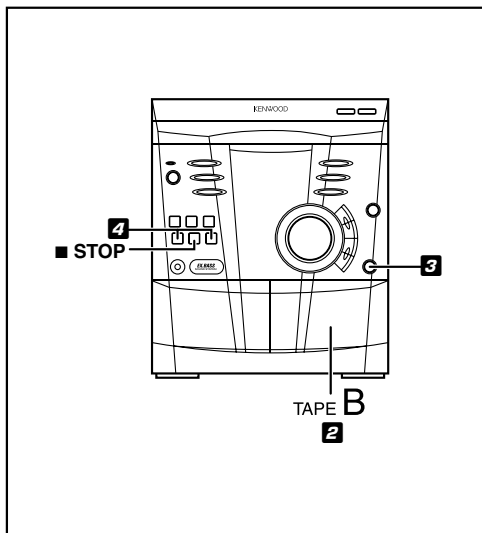
Press the REVERSE MODE button repeatedly to select the following setting :

- "↺" Playback stops after having played both sides of tape in a deck.
- "↻" Endless playback of both sides of tape.
- "↻" Playback stops after having played one side of tape.



RECORDING (TAPE B only)

- When recording important selections, be sure to make a preliminary test to ensure that the desired material is being properly recorded.
- The volume and sound quality can be adjusted with no effect on the recorded signals (Variable Sound Monitor).
- Metal and CrO₂ tapes should not be used for recording or dubbing.



Recording from the built-in radio

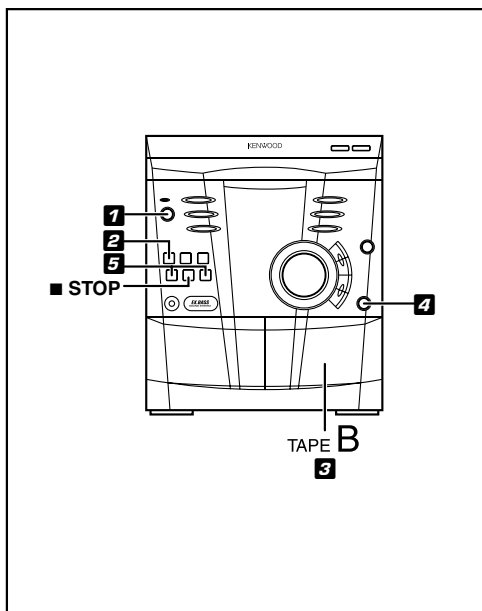
- 1 Tune in to the desired station. (see pages 18 - 20)
- 2 Load a cassette into the TAPE B cassette compartment.
- 3 Press the REC PAUSE button
 - "REC." and "● ◀ ▶" will flash.
- 4 Press the ◀ or ▶ button.
 - "REC." will disappear and "● ◀ or ● ▶" will light up.

Note :

- If a whistling noise is heard whilst recording from an AM station, move the AM loop antenna to a position where noise is no longer heard from the unit.

To stop recording :

Press the ■ STOP button.



Recording from the built-in CD player (CD Synchronised Recording System)

- 1 Press the POWER / ON / STANDBY button to turn the power on.
- 2 Press the CD button and load the desired disc.
 - Use the program playback function to store the tracks you want to record in memory. (see page 17)
- 3 Load a cassette into the TAPE B cassette compartment.
- 4 Press the REC PAUSE button.
 - "SYNC." and "● ◀ ▶" will flash.
- 5 Press the ◀ or ▶ button.
 - "SYNC." will disappear and "● ◀ or ● ▶" will light up.
 - CD playback will start approximately 5 seconds after the tape starts

To stop recording

Press the ■ STOP button.
The CD and tape will stop.

Note :

- When the end of the tape is reached whilst recording, the CD player will display the track number which was being played at that time, and stop automatically.

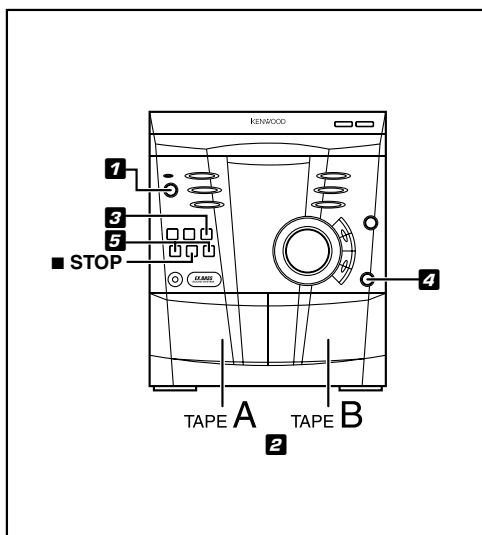
If you want to restart recording from the beginning of the interrupted track, turn over the tape, press the REC PAUSE button and then the ► button.

(If tracks have been stored in memory using the program playback function, recording will restart from the first track stored in memory.)

Selection of reverse mode :

Press the REVERSE MODE button repeatedly to select the following setting :

- “↔” Recording stops after having recorded both sides of tape.
- “⏮” Recording stops after having recorded one side of tape.



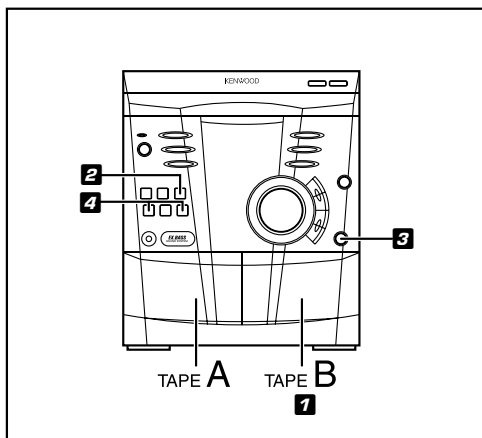
Dubbing from tape to tape

- 1 Press the POWER / ON/STANDBY button to turn the power on.
 - 2 Load a pre-recorded cassette into the TAPE A cassette compartment. Insert a blank tape into the TAPE B cassette compartment.
 - 3 Press the TAPE (A/B) button until “TAPE A” appears in the display.
 - 4 Press the REC PAUSE button. “REC” and “● ►” will flash.
 - 5 Press the ► button. “REC.” will disappear and “● ►” will light up.
- It is recommended that the recording tape be the same length as the master tape.

To stop dubbing :

Press the ■ STOP button.

- TAPE A and TAPE B will simultaneously stop.

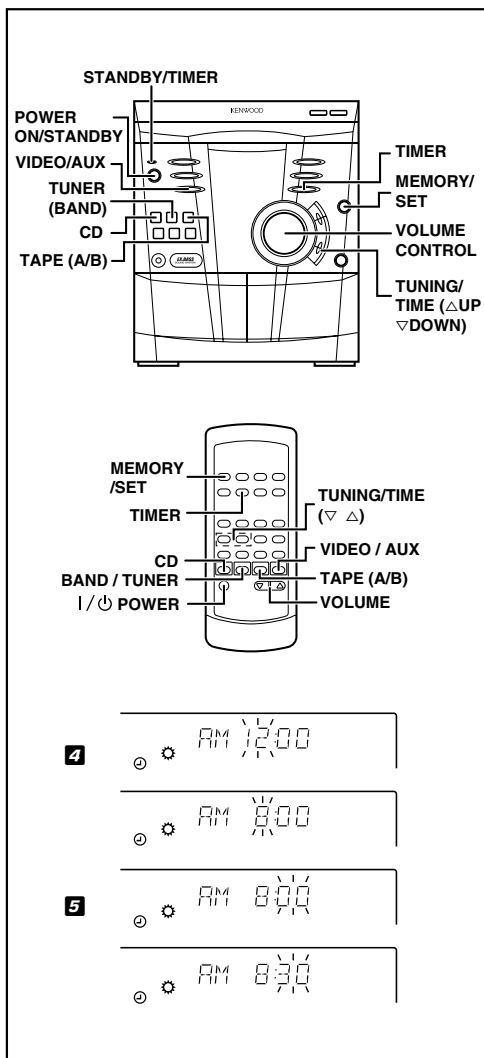


Erasing recorded tapes

- Make sure that TAPE A is not in use.
- 1 Load the tape to be erased into the TAPE B cassette compartment.
 - 2 Press the TAPE (A/B) button until “TAPE B” appears in the display.
 - 3 Press the REC PAUSE button. “ERASE” and “● ◀ ▶” will flash.
 - 4 Press the ◀ or ▶ button. “ERASE” and “● ◀ or ● ▶” will light up.

HOW TO USE THE BUILT-IN TIMER

- Before setting the timer, make sure that the clock setting is correct. (page 11)



Timer playback

- 1 Press the POWER / ON/STANDBY button to turn the power on
 - 2 Press the CD, TUNER (BAND), TAPE (A/B) or VIDEO/AUX button to select the desired function, and then adjust the sound volume using the VOLUME CONTROL.
 - 3 Press the TIMER button repeatedly until "⊙ ⚙" is displayed.
 - 4 Press the TUNING/TIME (ΔUP or ∇DOWN) button to set the hour start time, then press the MEMORY/SET button.
 - 5 Press the TUNING/TIME (ΔUP or ∇DOWN) button to set the minute start time, then press the MEMORY/SET button.
- The unit will enter the standby mode automatically, and the STANDBY/TIMER indicator will light up.
 - 6 When the preset time is reached, the timer playback will start.
 - The volume will increase gradually.

Notes :

- When performing timer playback using an external unit connected to the VIDEO/AUX socket, only the power of the main unit will be turned off automatically. (The power of the external unit will not be turned off.)
- If you select CD or TAPE, the unit will enter the standby mode after the playback. If you select TUNER or VIDEO/AUX, it will enter the standby mode one hour after the timer playback starts.

Timer recording

- 1** Press the POWER / ON/STANDBY button to turn the power on.
 - Load a cassette for recording into the TAPE B cassette compartment.
- 2** Press the TUNER (BAND) or VIDEO/AUX button to select the desired function, and then adjust the sound volume using the VOLUME CONTROL.
- 3** Press the TIMER button repeatedly until "⊕ REC" is displayed.
- 4** Press the TUNING/TIME (ΔUP or ∇DOWN) button to set the hour start time, then press the MEMORY/SET button.
- 5** Press the TUNING/TIME (ΔUP or ∇DOWN) button to set the minute start time, then press the MEMORY/SET button.
 - The unit will enter the standby mode automatically, and the STANDBY/TIMER indicator will light up.
- 6** When the preset time is reached, the timer recording will start.
 - The volume will increase gradually.
- 7** When the recording tape reaches its end, the timer recording will end, and the unit will enter the standby mode.

To cancel timer operation :

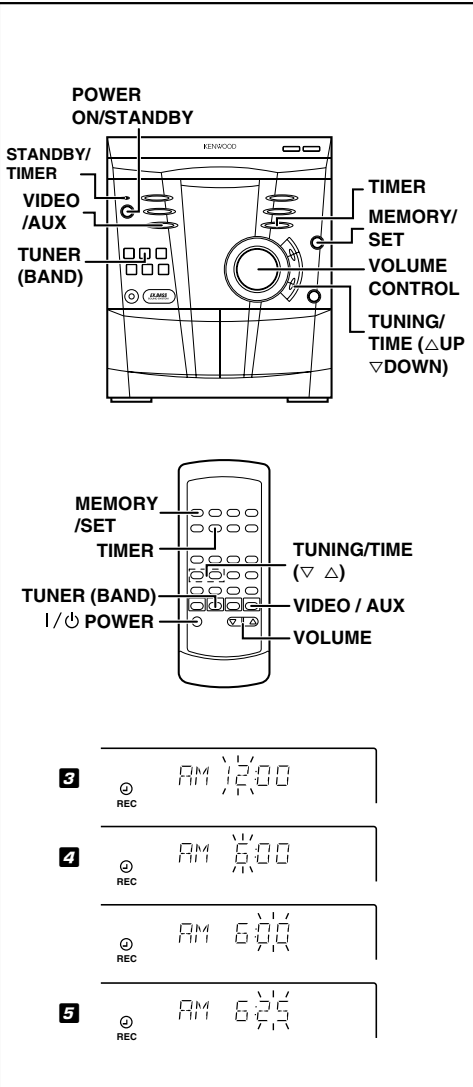
Press the POWER / ON/STANDBY button to turn the power on.

To change the programmed contents :

Start again from step **1**.

Note :

- Once the time is set, the setting will be retained until a new time is entered.



Sleep operation

The radio, compact disc and cassette deck can all be turned off automatically.

- 1 Play back the desired sound source.
- 2 Press the **TIMER** button repeatedly until "⊙" is displayed.

To change the sleep time :

Whilst the sleep time is displayed, press the **TUNING/TIME** (Δ UP or ∇ DOWN) button to adjust the time.

(Maximum : 3 hours - Minimum : 1 minute)

The amount of sleep time can also be changed during the sleep operation.

- 3 hours - 5 minutes \rightarrow 5 -minutes intervals
- 5 minutes - 1 minute \rightarrow 1 -minute intervals

- 3 Press the **MEMORY/SET** button.
- 4 The unit will enter the standby mode automatically after the preset sleep time has elapsed.

Note :

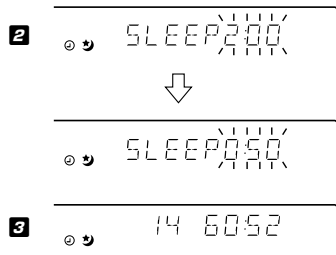
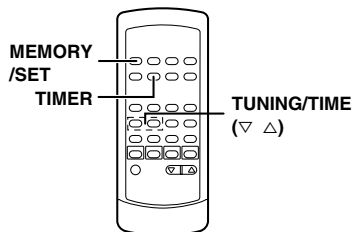
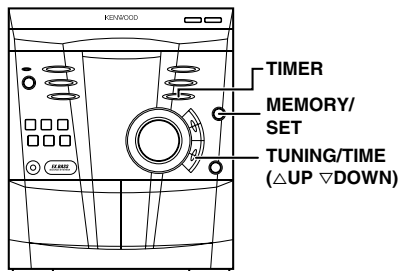
- Once the sleep timer is set, it will remain the same duration until the setting is changed.

To confirm the remaining sleep time :

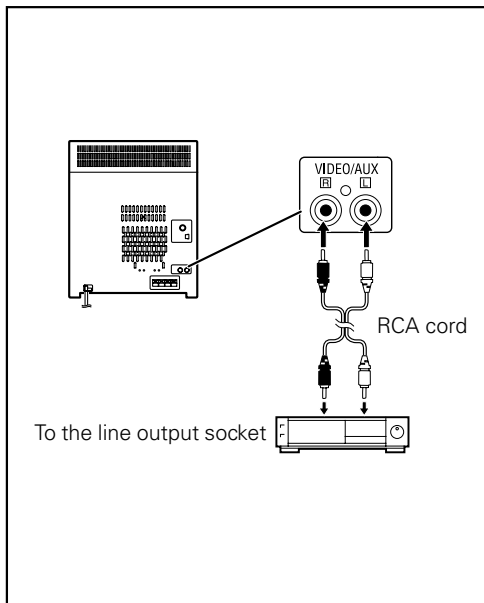
Press the **TIMER** button.

To cancel the sleep operation :

Press the **POWER / ON/STANDBY** button to enter the standby mode.



USING EXTERNAL UNITS



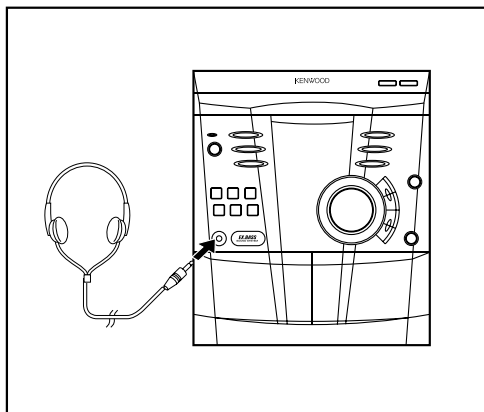
Video/Auxiliary (Audio signal) input

To listen to or record signals from external sources through this unit :

- 1** Use a separately available RCA cord to connect the desired external unit to the VIDEO/AUX sockets.
(red = right channel, white = left channel)
- When using video equipment (Laser Disc player or VCR), be sure to connect the audio output to this unit and the video output to a television.
- 2** Press the POWER / ON/STANDBY button to turn the power on.
- 3** Press the VIDEO/AUX button.
- 4** Operate the external unit.
- 5** To record the sound from the external unit, perform steps **2** - **4** of the "Recording from the built-in radio" section on page 22.

Note :

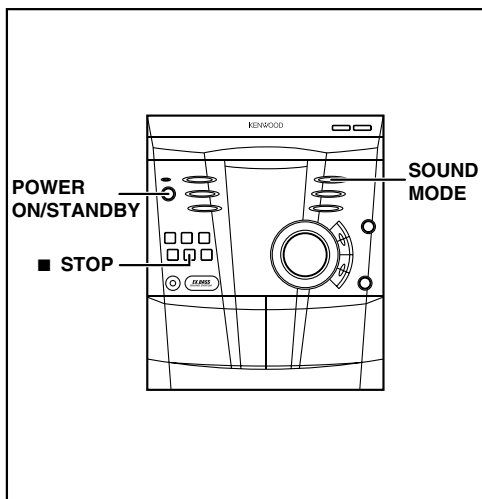
- To prevent hum interference, do not place this unit near a television receiver.



Headphones

- Before plugging in or unplugging the headphones, make sure the volume level is reduced.
- Be sure your headphones have a 3.5mm (1/8") diameter plug and are between 16 ohms and 50 ohms impedance. The recommended impedance is 32 ohms.
- When headphones are connected, the speakers are disconnected automatically. Adjust the VOLUME CONTROL for the desired volume.

RESETTING THE MICROCOMPUTER



Reset the microcomputer under the following conditions :

- To erase all of the stored memory contents (clock and timer settings, and tuner and CD presets).
- If the display is not correct.
- If the operation is not correct.

1 Press the POWER / ON/STANDBY button to enter the standby mode.

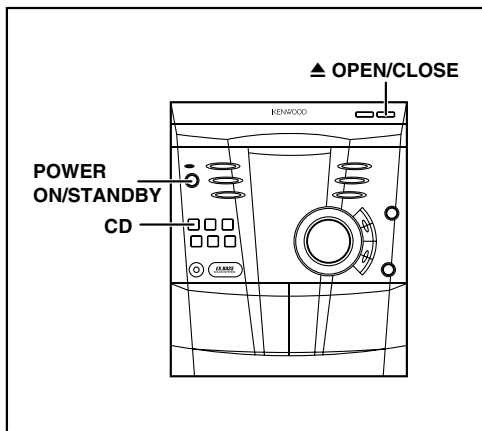
2 Whilst pressing down the ■ STOP button and the SOUND MODE button, hold down the POWER / ON/STANDBY button for at least 1 second.

- "CLEAR AL" will appear.

Caution :

- The operation explained above will erase all data stored in memory including clock and timer settings, and tuner and CD presets.

TRANSPORTING THE UNIT



Before you move this product to a new location, proceed as follows :

1 Press the POWER / ON/STANDBY button to turn the power on.

2 Press the CD button.

3 Press the ▲ OPEN/CLOSE button to open the disc tray.

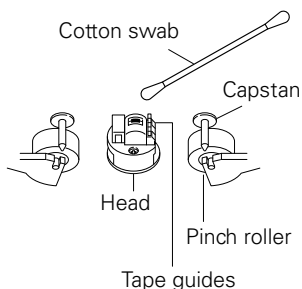
- Remove all CDs inserted in the unit.

4 Press the ▲ OPEN/CLOSE button to close the disc tray.

- Make sure that "NO DISC" is displayed.

5 Press the POWER / ON/STANDBY button to enter the standby mode and then unplug the AC power cord from the AC socket.

MAINTENANCE



Cleaning the heads and peripheral components

For maintaining the best condition of the deck and for longer service life, always keep the heads, capstan and pinch roller clean. To clean them, perform the following:

- 1) Open the cassette holder.
- 2) Using a cotton swab dipped in alcohol, clean the head, capstan and pinch roller carefully.

Demagnetizing the head

When the recording / playback head is magnetized, the sound quality will deteriorate. In such a case, demagnetize the head using a commercially available demagnetizer (head eraser).

Note

- There are precisely aligned parts around the heads, including the tape guides. When cleaning, pay special attention so as not to apply shock to them.

Maintenance of the unit

When the front panel or case becomes dirty, wipe with a soft, dry cloth. Do not use thinner, benzine, alcohol, etc. for these agents may cause discoloration.

In regard to contact cleaner

Do not use contact cleaners because it could cause a malfunction. Be specially careful not to use contact cleaners containing oil, for they may deform the plastic component.

Caution on condensation

Condensation (of dew) may occur inside the unit when there is a great difference in temperature between this unit and the outside. This unit may not function properly if condensation occurs. In this case, leave the unit for a few hours and restart the operation after the condensation has dried up.

Be specially cautious against condensation in a following circumstance:

When this unit is carried from a place to another across a large difference in temperature, when the humidity in the room where this unit is installed increases, etc.

For the U.S.A.

Note to CATV system installer

This reminder is provided to call the CATV system installer's attention to Article 820-40 of the NEC that provides guidelines for proper grounding and, in particular, specifies that the cable ground shall be connected to the grounding system of the building, as close to the point of cable entry as practical.

WARNING NOTICE:

In most cases it is an infringement of copyright to make copies of tapes or discs without the permission of the copyright owners. Anyone wishing to copy commercially available tapes or disc should contact the mechanical copyright protection society limited or the performing rights society limited.

For the U.S.A.

CAUTION

Use of controls or adjustments or performance of procedures other than those specified herein may result in hazardous radiation exposure.

In compliance with Federal Regulations, following are reproductions of labels on, or inside the product relating to laser product safety.

**KENWOOD CORP. CERTIFIES THIS EQUIPMENT
CONFORMS TO DHHS REGULATIONS NO. 21 CFR
1040.10, CHAPTER 1, SUBCHAPTER J.**

**KENWOOD CORPORATION
2967-3, ISHIKAWA-CHO,
HACHIOJI-SHI, TOKYO, JAPAN**

Location: Back Panel

For the U.S.A.

FCC WARNING

This equipment may generate or use radio frequency energy. Changes or modifications to this equipment may cause harmful interference unless the modifications are expressly approved in the instruction manual. The user could lose the authority to operate this equipment if an unauthorized change or modification is made.

NOTE:

This equipment has been tested and found to comply with the limits for a Class B digital device, pursuant to Part 15 of the FCC Rules. These limits are designed to provide reasonable protection against harmful interference in a residential installation. This equipment may cause harmful interference to radio communications, if it is not installed and used in accordance with the instructions. However, there is no guarantee that interference will not occur in a particular installation. If this equipment does cause harmful interference to radio or television reception, which can be determined by turning the equipment off and on, the user is encouraged to try to correct the interference by one or more of the following measures:

- Reorient or relocate the receiving antenna.
- Increase the separation between the equipment and receiver.
- Connect the equipment into an outlet on a circuit different from that to which the receiver is connected.
- Consult the dealer or an experienced radio / TV technician for help.

SPECIFICATIONS (XD-A75)

Main Unit

[Amplifier section]

Rated power output

150 watts per channel minimum RMS, both channels driven, at 6 Ω from 70 Hz to 20 kHz with no more than 10% total harmonic distortion. (FTC)

Signal to noise ratio

VIDEO/AUX INPUT 88 dB (IHF' 66)

Input sensitivity / impedance

VIDEO/AUX INPUT 600 mV / 47 k Ω

[Tuner section]

FM tuner section

Tuning frequency range 87.5 MHz ~ 108 MHz

AM Tuner section

Tuning frequency range 530kHz ~ 1,720kHz

[Cassette deck section]

Track 4-track, 2-channel stereo

Recording system AC bias system
(Frequency: 100 kHz)

Heads

A deck : Playback head 1

B deck : Playback / recording head 1

Erasing head 1

Fast winding time Approx. 100 seconds
(C-60 tape)

[CD player section]

Laser wave length 770 to 795 nm

Laser power class 1 (FDA)

Wow & Flutter Less than unmeasurable Limit

[General]

Power consumption 180W

Dimensions W : 270 mm (10-5/8")

H : 330 mm (13")

D : 390 mm (15-3/8")

Weight (net) 8.7 kg (19.2 lb)

Speakers (LS-N70S)

Enclosure Bass-reflex type

Speaker configuration

Woofer 160 mm, cone type

Tweeter 50 mm, cone type

Super-tweeter 20 mm, dome type

Impedance 6 Ω

Maximum input power 150W

Dimensions W : 226 mm (8-7/8")

H : 330 mm (13")

D : 256 mm (10 1/16")

Weight (net) 3.8 kg (8.4 lb) (1 piece)

SPECIFICATIONS (XD-A55)

Main Unit

[Amplifier section]

Rated power output

100 watts per channel minimum RMS, both channels driven, at 6 Ω from 70 Hz to 20 kHz with no more than 10% total harmonic distortion. (FTC)

Signal to noise ratio

VIDEO/AUX INPUT 88 dB (IHF' 66)

Input sensitivity / impedance

VIDEO/AUX INPUT 600 mV / 47 k Ω

[Tuner section]

FM tuner section

Tuning frequency range 87.5 MHz ~ 108 MHz

AM Tuner section

Tuning frequency range 530kHz ~ 1,720kHz

[Cassette deck section]

Track 4-track, 2-channel stereo

Recording system AC bias system
(Frequency: 100 kHz)

Heads

A deck : Playback head 1

B deck : Playback / recording head 1

Erasing head 1

Fast winding time Approx. 100 seconds
(C-60 tape)

[CD player section]

Laser wave length 770 to 795 nm

Laser power class 1 (FDA)

Wow & Flutter Less than unmeasurable Limit

[General]

Power consumption 130W

Dimensions W : 270 mm (10-5/8")

H : 330 mm (13")

D : 390 mm (15-3/8")

Weight (net) 7.9 kg (17.4 lb)

Speakers (LS-N50S)

Enclosure Bass-reflex type

Speaker configuration

Woofer 160 mm, cone type

Tweeter 50 mm, cone type

Super-tweeter 20 mm, dome type

Impedance 6 Ω

Maximum input power 100W

Dimensions W : 226 mm (8-7/8")

H : 330 mm (13")

D : 225 mm (8-7/8")

Weight (net) 3.5kg (7.7 lb) (1 piece)

KENWOOD

For your records

Record the serial number, found on the back of the unit, in the spaces designated on the warranty card, and in the space provided below. Refer to the model and serial numbers whenever you call upon your dealer for information or service on this product.

Model _____ Serial Number _____